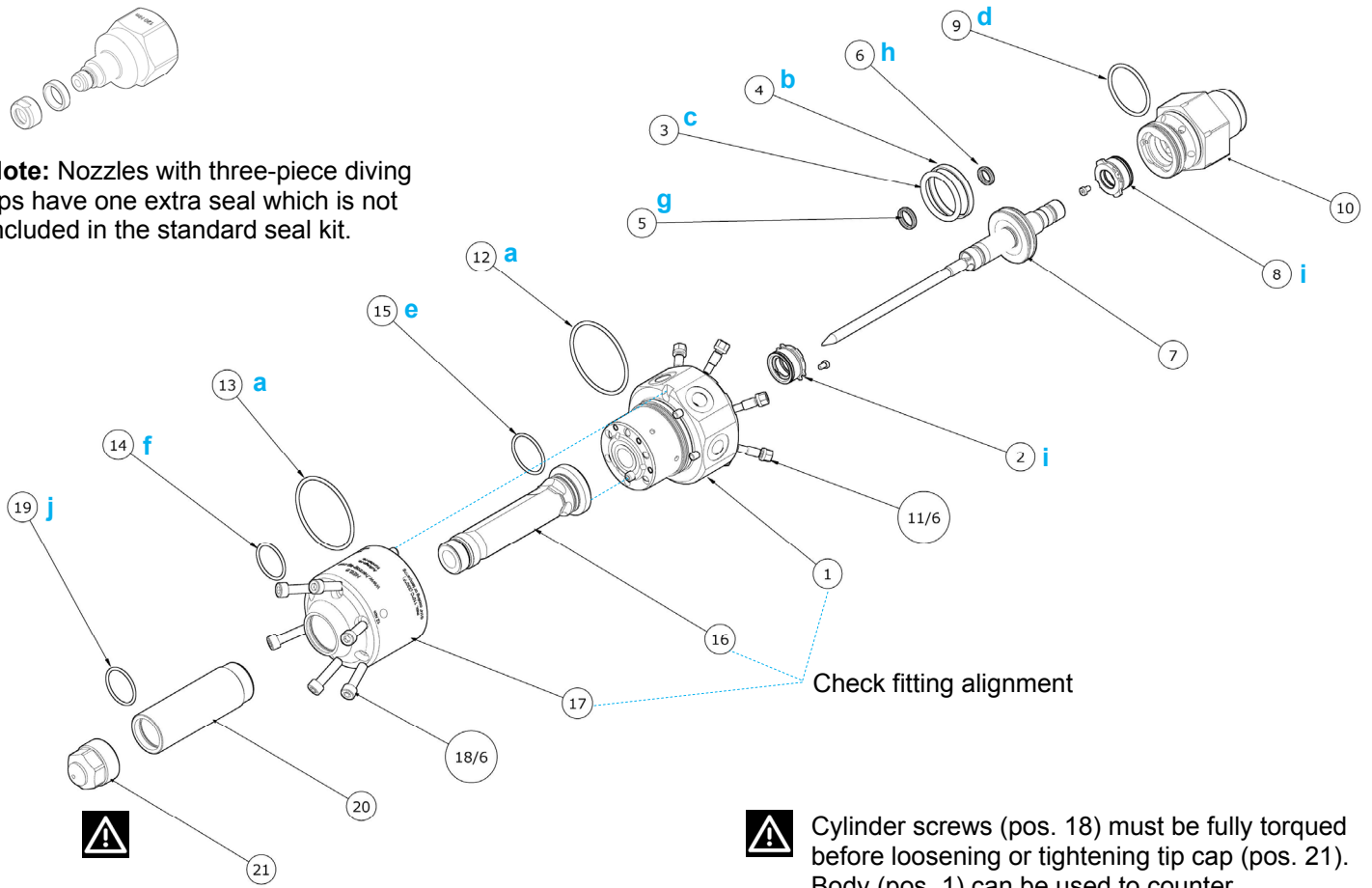


# NE - Seal replacement guide

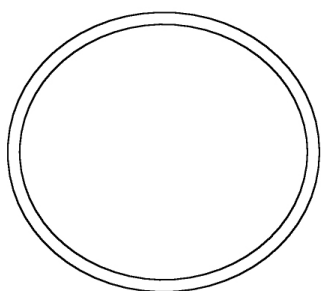
Assemble according to the numerical order. Lettering refers to each part in the seal kit.  
Supporting videos available at [www.herzog-ag.com](http://www.herzog-ag.com)

**Note:** Nozzles with three-piece diving tips have one extra seal which is not included in the standard seal kit.



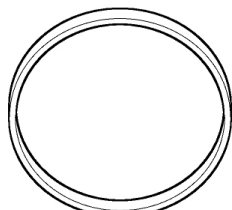
**⚠** Cylinder screws (pos. 18) must be fully torqued before loosening or tightening tip cap (pos. 21). Body (pos. 1) can be used to counter.

## Seal kit contents - NE000.00000.900



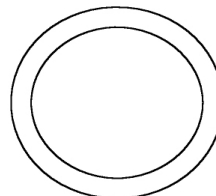
ZU99.00179

**a** 2 x  
O-Ring Ø55



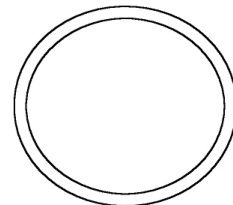
ZU99.00534

**b** 1 x  
Slide Ring Ø42



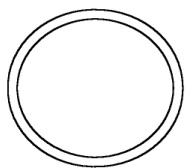
ZU99.00535

**c** 1 x  
O-Ring Ø32



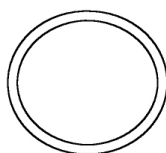
ZU99.00132

**d** 1 x  
O-Ring Ø38



ZU99.00545

**e** 1 x  
O-Ring Ø30



ZU99.00063

**f** 1 x  
O-Ring Ø27



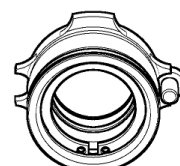
ZU99.00890

**g** 1 x  
Seal Ring  
Ø16



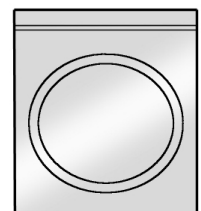
ZU99.00889

**h** 1 x  
Seal Ring  
Ø14



NE004.00001.BG

**i** 2 x  
Seal Insert

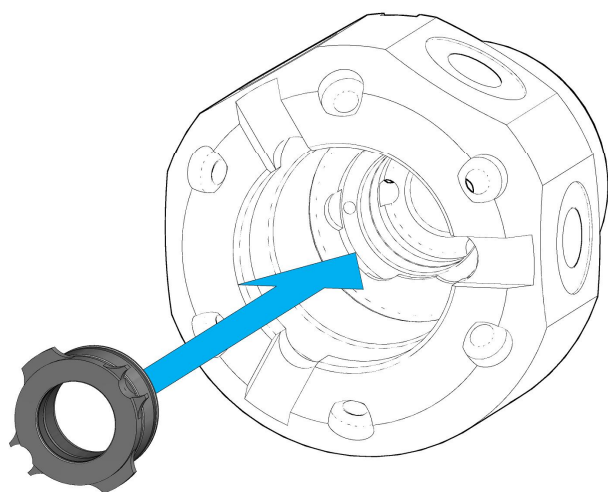


ZU99.00736

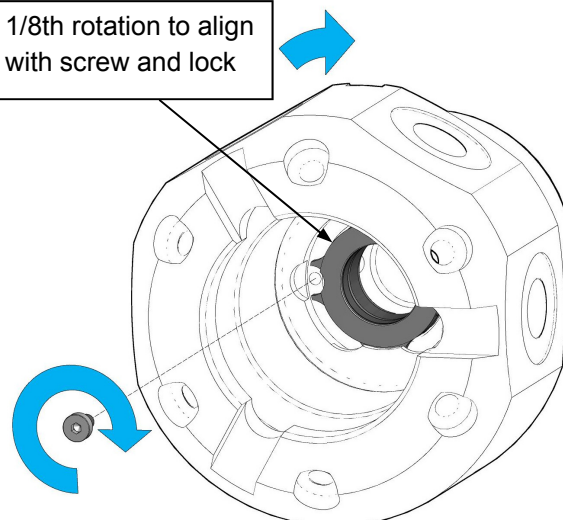
**j** 1 x  
O-Ring Ø26  
(Only used for cooled  
tip >50mm)



Fit seal insert packs **i** (x2)



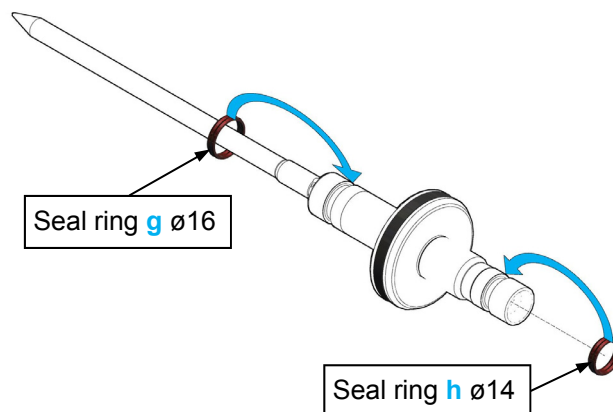
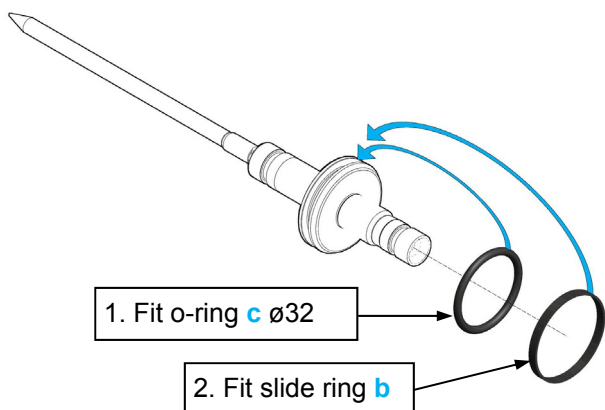
1/8th rotation to align with screw and lock



Fit piston and needle seals



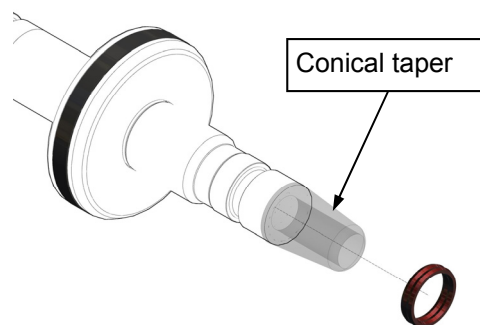
Grease seals! (*Interflon Fin Grease MP2/3*)



**Note:** A hallow conical taper can help to fit needle seals  
Two required:

Ø16.5 for seal ring **g**

Ø14.5 for seal ring **h**



**Switzerland**  
herzog systems ag  
Feldhofstrasse 65  
CH-9230 Flawil  
  
Tel. +41 71 394 19 69  
Email info@herzog-ag.com

**China**  
Herzog (China) Co., Ltd.  
No.438 Zhujiang Road  
Ningbo, PC: 315800  
  
Tel. +86 574 8696 3001  
Email asia@herzog-ag.com

**USA**  
Herzog Injection Technology, Inc.  
245 Western Ave  
Essex, MA 01929  
  
Tel. +1 978 768 0090  
Email usa@herzog-ag.com